

**PLEASE CHECK WWW.MOLEX.COM FOR LATEST PART INFORMATION**

**Part Number:** **0593190028**  
**Status:** **Active**  
**Overview:** Mini-HMC Rectangular Industrial Connector System  
**Description:** HMC Rectangular Industrial Female Terminal, Multi-Module Type, Reel

**Documents:**

[3D Model](#) [3D Model \(PDF\)](#)  
[Drawing \(PDF\)](#) [RoHS Certificate of Compliance \(PDF\)](#)

**General**

Product Family Crimp Terminals  
 Series 59319  
 Application Power, Wire-to-Wire  
 Crimp Quality Equipment Yes  
 Overview Mini-HMC Rectangular Industrial Connector System  
 Product Name HMC  
 UPC 822348246151

**Physical**

Durability (mating cycles max) 50  
 Gender Female  
 Material - Metal Silicon Bronze  
 Material - Plating Mating Gold  
 Material - Plating Termination Tin  
 Net Weight 545.384/mg  
 Packaging Type Reel  
 Plating min - Mating 0.254µm  
 Plating min - Termination 1.016µm  
 Termination Interface: Style Crimp or Compression  
 Wire Insulation Diameter 2.20-2.70mm  
 Wire Size AWG 16  
 Wire Size mm<sup>2</sup> N/A

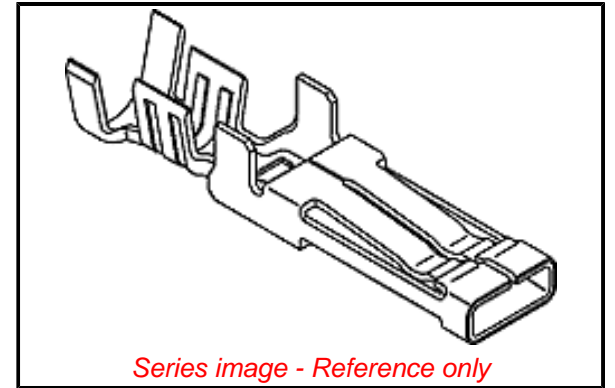
**Electrical**

Current - Maximum per Contact 13.0A  
 Voltage - Maximum 250V AC / 300V DC

**Material Info**

**Reference - Drawing Numbers**

Sales Drawing SD-59319-002-001



**EU ELV**

**Not Relevant**

**EU RoHS**

**Compliant**

**REACH SVHC**

Not Contained Per -  
 D(2021)4569-DC (8  
 July 2021)

**Halogen-Free**

**Status**

**Low-Halogen**

For more information, please visit [Contact US](#)

China ROHS

ELV

RoHS Phthalates

**China RoHS**

Green Image

Not Relevant

Not Contained

**Search Parts in this Series**

59319 Series

**Use With**

51195 Housing

**Application Tooling | FAQ**

*Tooling specifications and manuals are found by selecting the products below. Crimp Height Specifications are then contained in the Application Tooling Specification document.*

**Global**

**Description**

**Product #**

Extraction Tool for RCM Connector System [638133501](#)

Hand Crimp Tool for HMC Crimp Terminals [638255300](#)

Applicator for M211A Bench Press, 14-18 AWG Wire [573553000](#)

This document was generated on 10/04/2021

**PLEASE CHECK [WWW.MOLEX.COM](http://WWW.MOLEX.COM) FOR LATEST PART INFORMATION**